



## PCS CONTROL STATION

Advanced ground station system optimized for the control of any vehicle equipped with Veronte Autopilot. It includes datalink, GNSS, sensors and the equipment required to perform a wide range of high-performance operations.

The integrated Veronte BCS enables navigation and communications with the on-board autopilot and control station computer. The expansion bay allows operators to integrate any additional devices to be part of the system.



**VERONTE**  
CONTROL STATIONS

## APPLICATIONS

01 | Portable GCS



02 | Law Enforcement



03 | Long-Range Missions



04 | Agriculture



05 | Defence System



06 | Border Control



## Main

## FEATURES



**GEO POSITIONING**



**EMBEDDED DATALINK**



**WI-FI & ETHERNET**



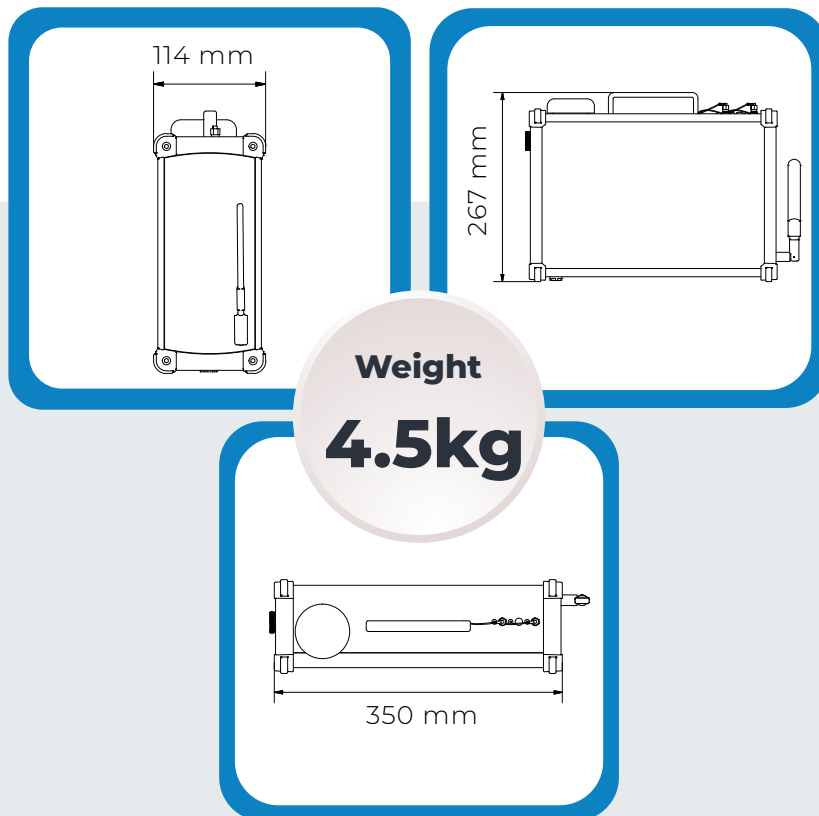
**>2M ALTITUDE**



**EXPANSION BAY**



Weight	4.5 kg (PCS)   5.7 (mast)
Size	350x267x114 mm
Mast Altitude	2 m
Robust Design	IP66   High performance & strict design standards
Temperature	-40 to 65°C
Expansion BAY IO	RS232   CAN BUS   ETHERNET   3.3V   5V   12V   24V
Expansion BAY	215x90x120 mm
Battery	3 h
Power	16-24V DC   Power Source 100-240V AC
Datalink Options	TM/TC: 400MHz, 900MHz, 2.4GHz, TM/TC/VIDEO: 2.4GHz
GNSS	Embedded antenna   SMA external antenna connector
PC Communications	USB   WI-FI   Ethernet
IO Connector	PWM, Analog input, CAN, EQUPEP   I2C   RS232   RS485
Enclosure	Aluminium   Black



PN  
 [VECS060] Externa radio  
 [VECS061] 2.4GHz - 5W TM/TC + Video

[VECS066] 2.4GHz 10W TM/TC  
 [VECS063] 400MHz 1W TM/TC

[VECS064] 900MHz - 10W TM/TC  
 \*Others on request

Feb, 2022